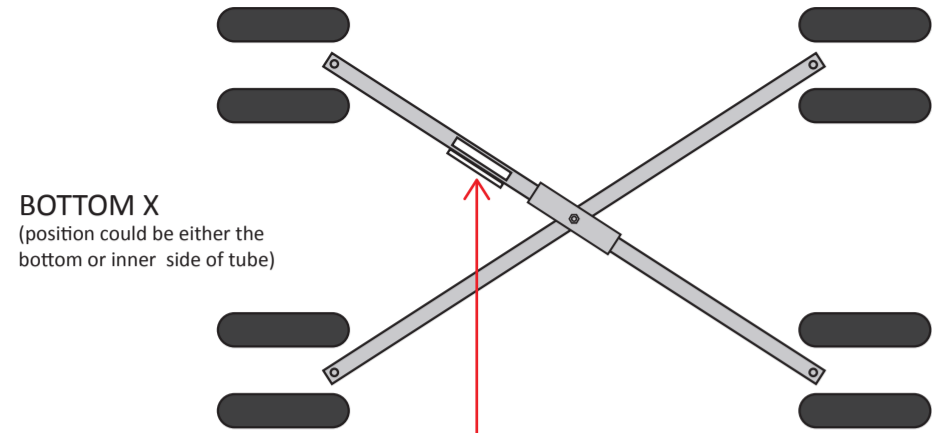






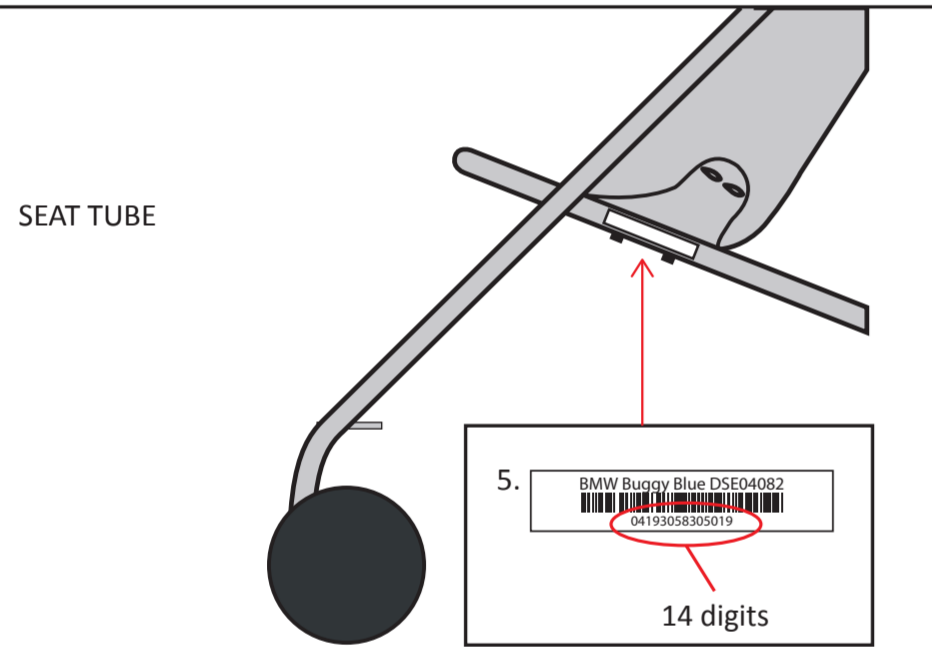
VIN NUMBER
MAY BE POSITIONED IN ONE OF THE FOLLOWING LOCATIONS ON BUGGY




BOTTOM X
(position could be either the bottom or inner side of tube)

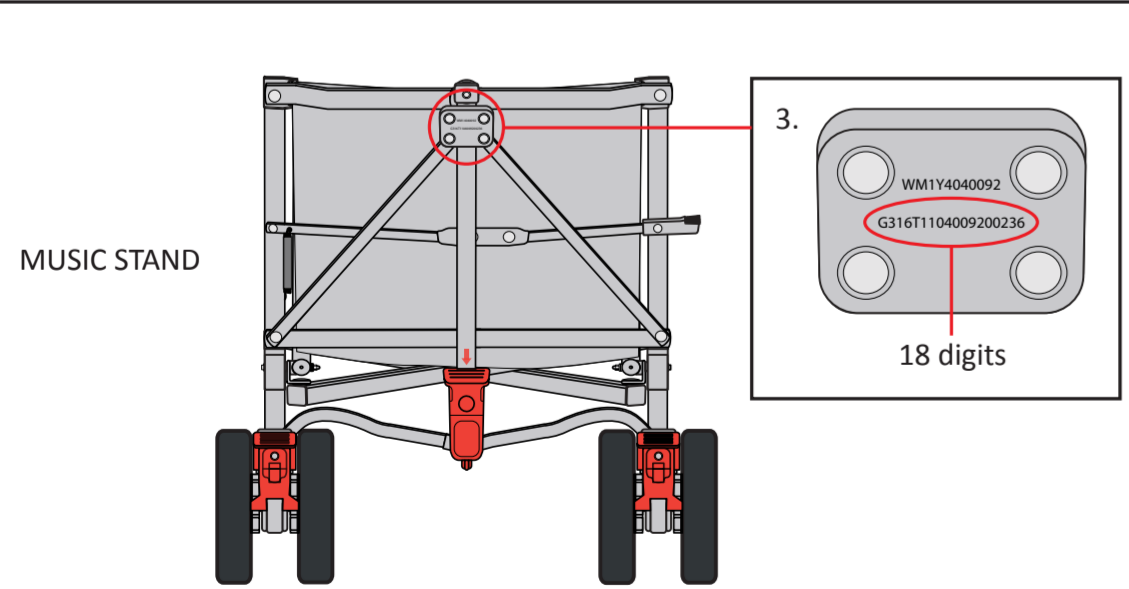
WILL RESEMBLE ONE OF THE FOLLOWING LABELS:

1.  12 digits	2.  14 digits
3.  21 digits	4.  22 digits

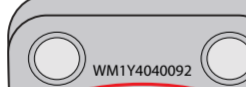


SEAT TUBE

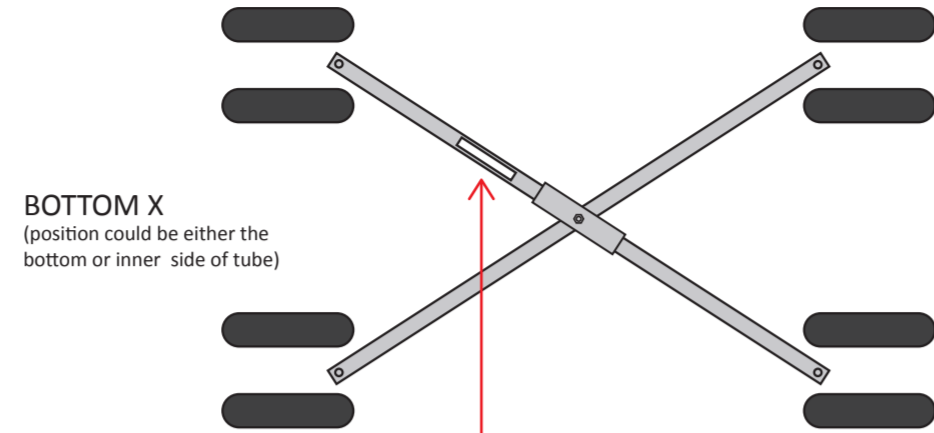
5. 
14 digits




MUSIC STAND

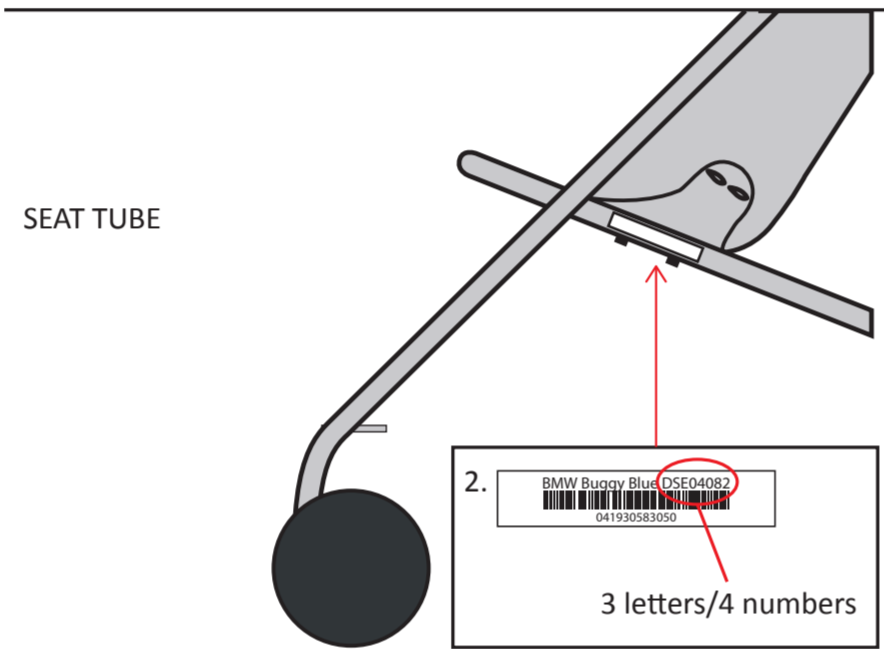
3. 
18 digits

PRODUCT CODE
MAY BE POSITIONED IN ONE OF THE FOLLOWING LOCATIONS ON BUGGY




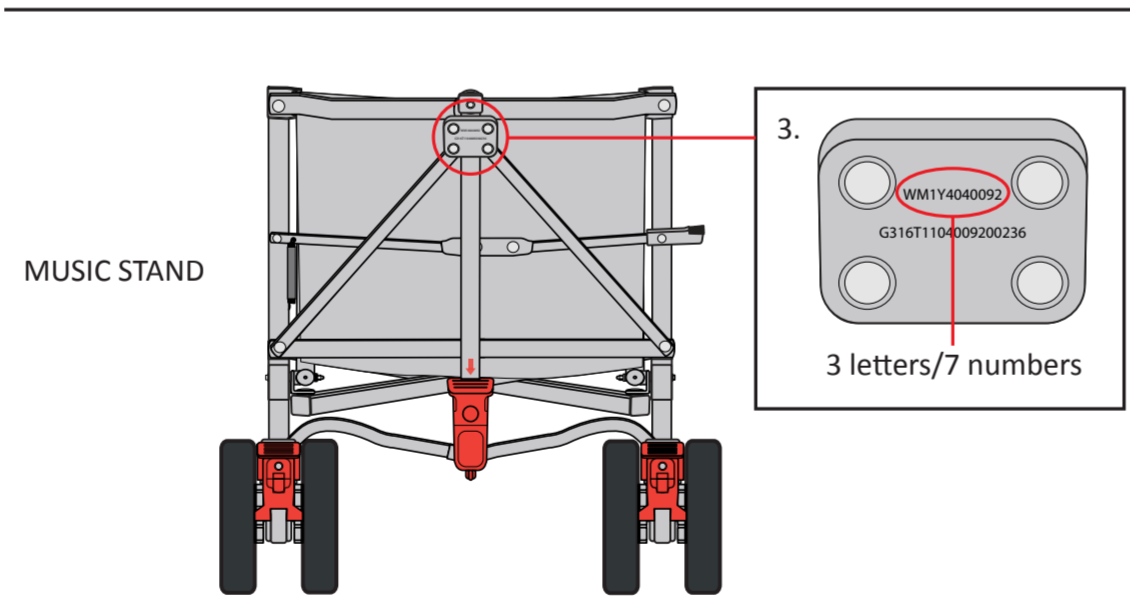
BOTTOM X
(position could be either the bottom or inner side of tube)

1. 
3 letters/4 numbers




SEAT TUBE

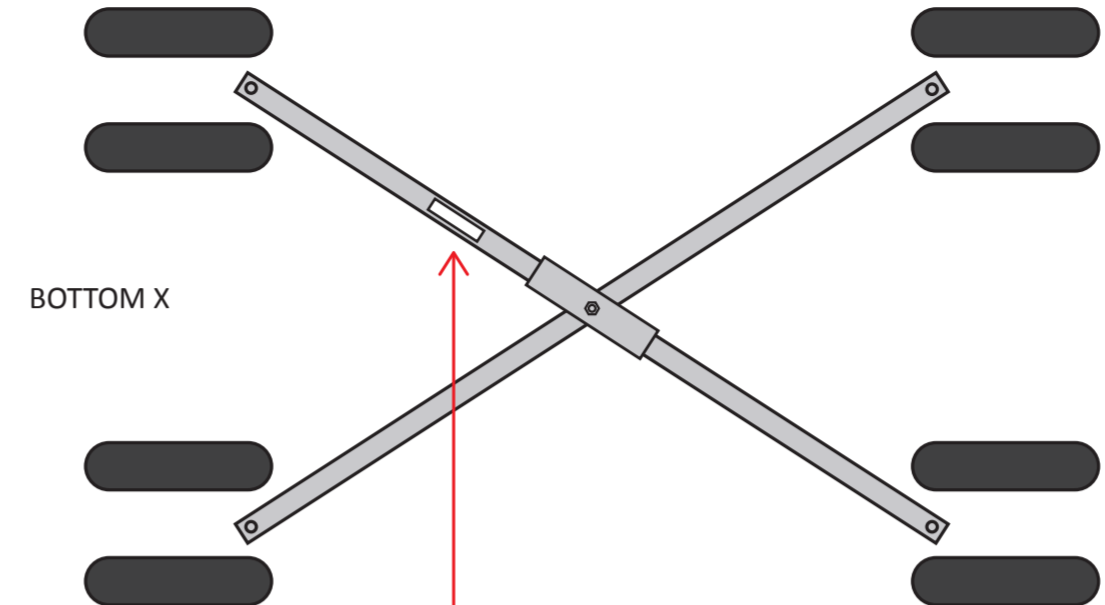
2. 
3 letters/4 numbers



MUSIC STAND



3. 
3 letters/7 numbers

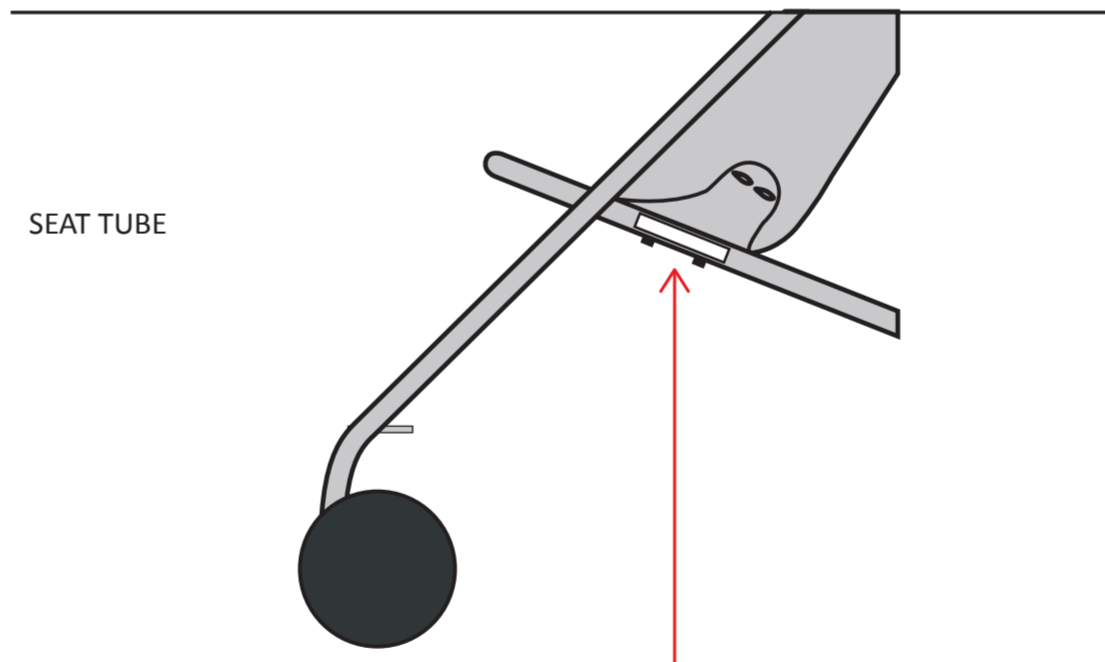
PO NUMBER LABEL
MAY BE POSITIONED IN ONE OF THE FOLLOWING LOCATIONS ON BUGGY



BOTTOM X



WILL RESEMBLE ONE OF THE FOLLOWING LABELS:

- 
PO3700143
- 
PO3 AREN
Peel up to reveal PO #

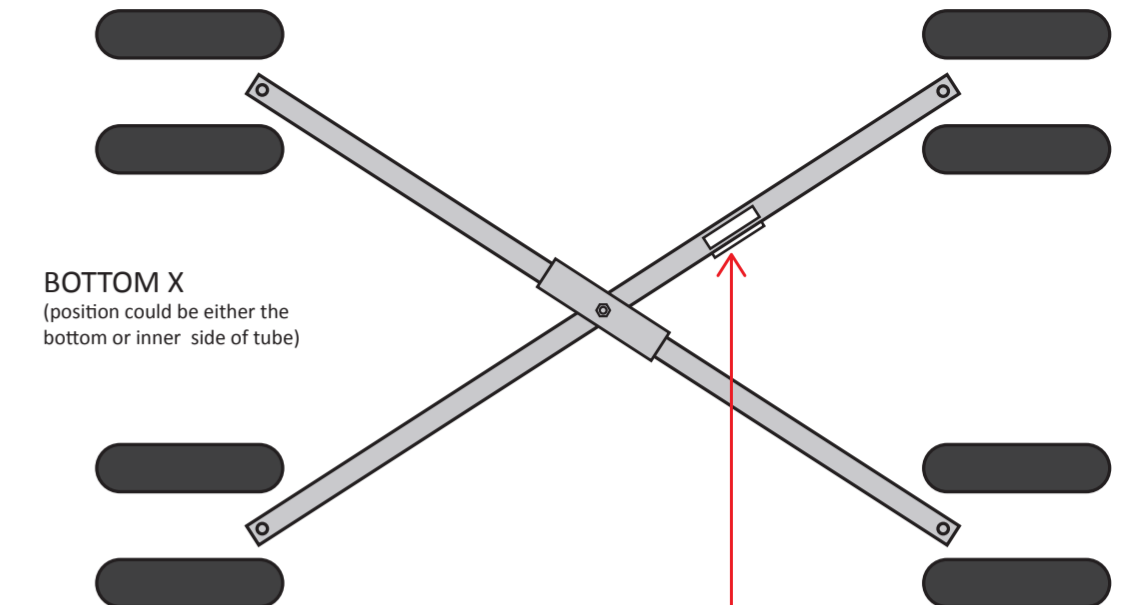


SEAT TUBE

WILL RESEMBLE ONE OF THE FOLLOWING LABELS:

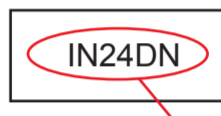
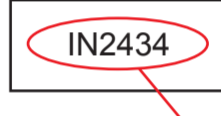

- 
PO3700143
- 
PO3 AREN
Peel up to reveal PO #

BATCH/ DATE CODE LABEL



BOTTOM X
(position could be either the bottom or inner side of tube)

WILL RESEMBLE ONE OF THE FOLLOWING LABELS:

- 
IN24DN
2 letters/ 2 #'s/ 2 letters
- 
IN2434
2 letters/ 4 #'s
- 
14 AUG 2010
DATE

